

Labko 3000 and Labko 3000 LPG

Intelligent level system for petrol stations
and LPG plants

WBS 3000

For water/oil
interface



High accuracy product level,
water interface and temperature
monitoring system for

- LPG tank farms
- Petrol stations
- Fuel terminals
- Other industrial applications

 **Labkotec**
INDUTRADE GROUP

Labko 3000 and Labko 3000 LPG

– high accuracy product level, water interface and temperature monitoring system

The operation of the Labko 3000 and Labko 3000 LPG level probe are based on the segmented capacitive measuring method and the use of built-in sophisticated electronics, which enables automatic recalibration according to variations caused by changes in liquid quality or mixture of additives.

Uniquely, the Labko 3000 and Labko 3000 LPG level probes can be connected into petrol station's Labko Intelligent Level System without any extra devices. Due to high accuracy Labko 3000 level probe can be used as a level probe in tank reconciliation and leakage detection systems.

The rugged construction of Labko 3000 and Labko 3000 LPG level probes make it ideal for harsh environmental conditions.

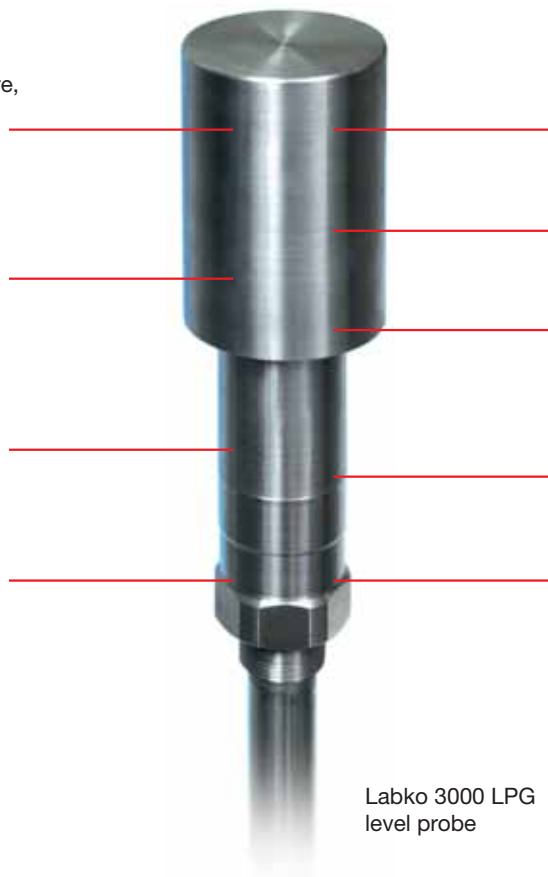


- Measures product level, temperature, condensed water level and makes conversion to volume

- Repeatability
Labko 3000 ± 1 mm
Labko 3000 LPG $\pm 2... \pm 4$ mm

- Automatic compensation for dielectric changes of the products

- In tank length up to 5.9 m



- II 1 G EEx ia IIB T5, VTT 03 ATEX 094X

- Optional weather protection cap

- Measures the interface level between two liquids

- Rugged construction, no moving parts

- Easy to install and maintain

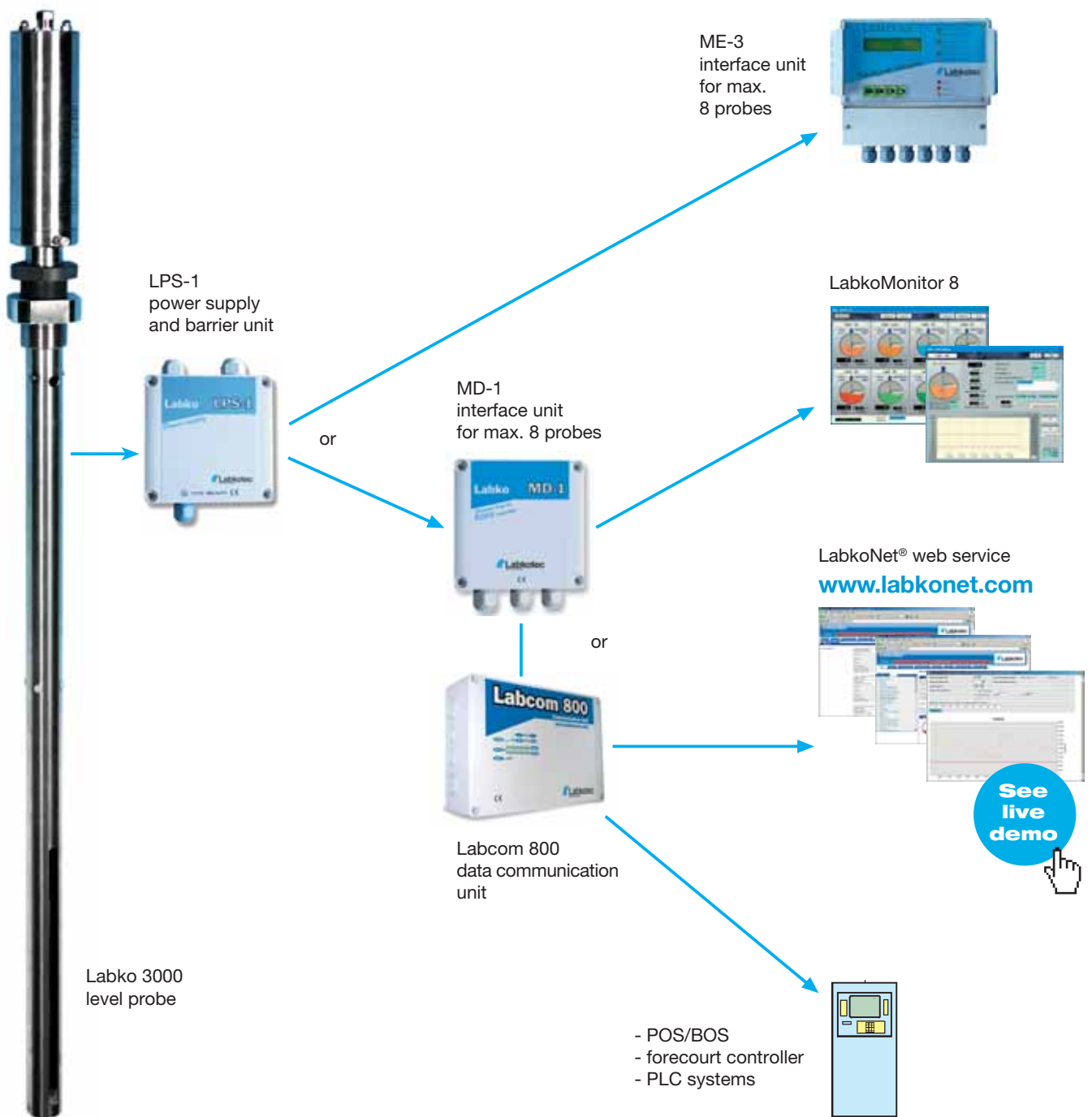
Labko 3000 LPG level probe

How to build your application

Stand-alone tank gauging system with local and/or remote monitoring

This system is an essential tool in fuel transportation logistics and automatic delivery control.

- User-friendly monitoring and reporting on PC screen
- Individual tank information
- Conversion to temperature compensated normal litres
- High, low and water alarms



WBS 3000

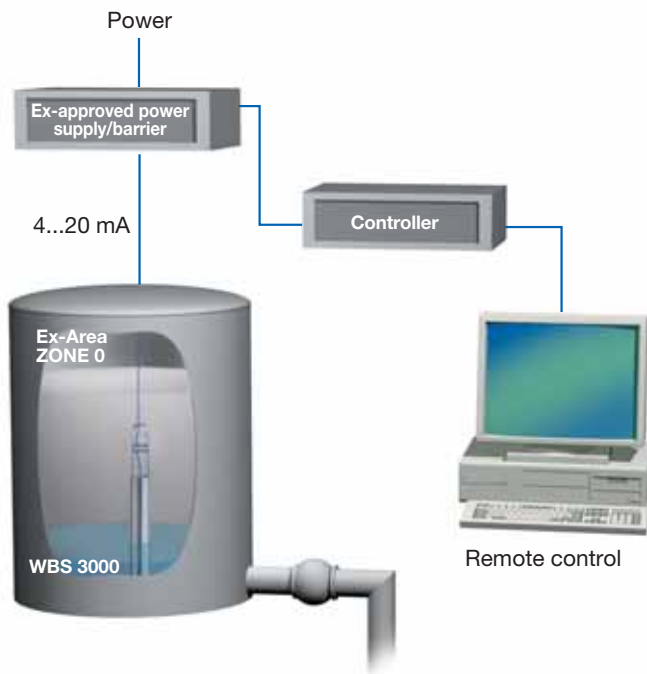
– water bottom sensor

The WBS 3000 level measuring probe is used to measure the bottom water level in tanks for petrochemical products.

The probe is installed at an appropriate level in the tank between the suspension cable and the anchoring to the tank bottom.

A typical application

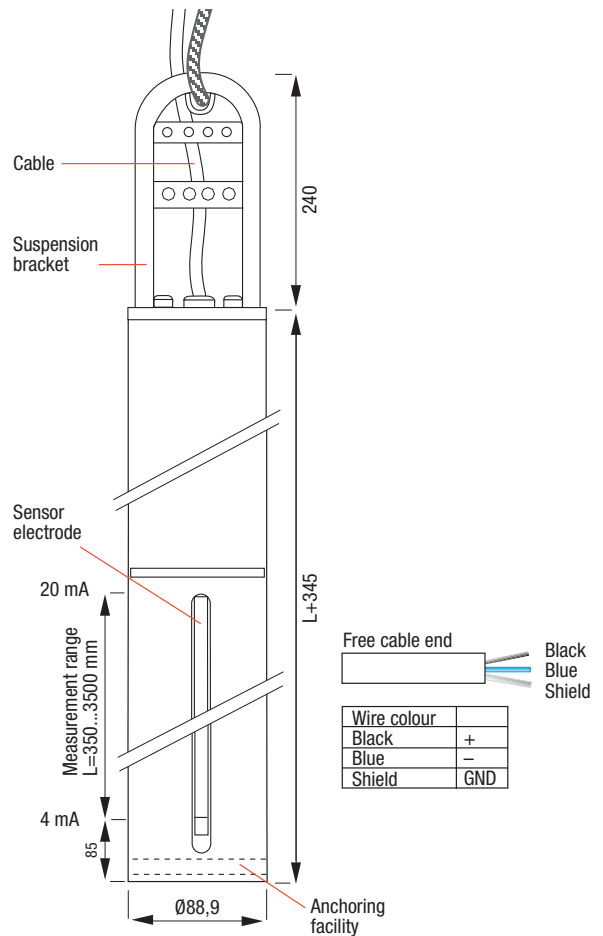
Automatic, remote controlled dewatering and indication



An electronic 2-wire 4-20 mA transmitter is encapsulated in epoxy resin in the top part of the probe. When the probe is totally immersed in hydrocarbon, the electric signal is 4 mA, depending slightly on the type of the hydrocarbon. The signal increases as the water level rises, from 4 to 20 mA proportionally to the water interface level on the sensing element.

Technical Data

Materials:	- Stainless steel ALSI 316 - Electrode insulation FEP - Cable insulation FEP - Gaskets NBR, VITON - Electrode centering PVDF
Performance:	- Accuracy $\pm 0,3\%$ (F.S.) - Repeatability $\pm 0,1\%$
Operating temperature:	0 °C...+90 °C
Approval:	⊕ II 1 G EEx ia IIB/IIC T4 (Ta -40 °C...+90 °C) ⊕ II 1 G EEx ia IIB/IIC T5 (Ta -40 °C...+85 °C) ⊕ II 1 G EEx ia IIB/IIC T6 (Ta -40 °C...+70 °C) VTT 03 ATEX 090X



www.labkotec.fi
www.labkonet.com

Labkotec Oy
Myllyhaantie 6
FI-33960 Pirkkala
FINLAND
Tel. int. +358 29 006 260
Fax int. +358 29 006 1260
E-mail info@labkotec.fi



Labkotec Oy reserves the rights to alterations without prior notice. Due to policy of continuous improvement in R&D, technical specifications may change. Installation shall always be made as documented in manufacturer's instructions.

